

FELLOW

Stagg EKG™

Electric Pour-Over Kettle

Safety and Instruction Guide

Stagg EKG™

Electric Pour-Over Kettle

Fellow Industries, Inc.

Fellowproducts.com

Email: hello@fellowproducts.com

San Francisco, CA 94107

1-year limited warranty | Model: EE01AA1A | Product name: Stagg EKG Pour-Over Electric Kettle | Patents pending

120V~ | 9A | 50/60Hz | 1200W

Weight: 2.6 lbs/1180 g (includes kettle base) | Dimensions (LxWxH): 11.5in (292mm) x 6.75in (171mm) x 8in (203mm) | Capacity: 30oz (0.9L) | Cord length: 2.5 ft (76.2cm)

Designed in San Francisco, made in China



FCC Compliance Statement -

This device complies with part 15 of the FCC Rules. Operation is subject to the following two conditions: (1) This device may not cause harmful interference, and (2) this device must accept any interference received, including interference that may cause undesired operation.

CAN ICES-3 (B)/NMB-3(B)

THIS PRODUCT IS FOR HOUSEHOLD + COMMERCIAL USE
SAVE THESE INSTRUCTIONS

More info at Fellowproducts.com/EKGmanual

Precision Pour Spout

A slow and steady pour wins the race. EKG's spout is designed for the optimal pour-over flow rate with to-the-drop precision.

Ergonomic Grip

You wish you had this good of a grip on your nerf gun.

304 18/8 Stainless Steel

High grade stainless steel for the best build quality. Polished steel to intimidate your other kitchenware.

Counterbalanced Handle

Back that mass up. EKG's weighted handle shifts the center of mass closer to your hand for an easier pour.

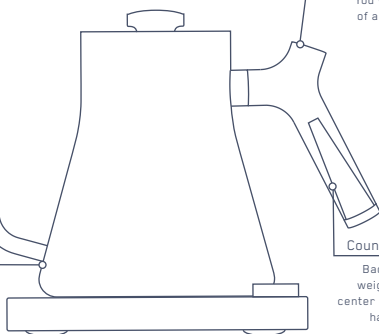


Diagram 1A

Main Button

One button to rule them all. Set temperature to-the-degree, start Brew Stopwatch, and turn the kettle on/off here.

Hi-Res LCD Screen

Just about the sleekest looking kettle screen we've ever laid eyes on.

HOLD Toggle

Get distracted easily? Here's an option to hold your set temperature for up to 60 minutes.

Fahrenheit/Celsius Toggle

Choose between Fahrenheit and Celsius for your temperature setting.

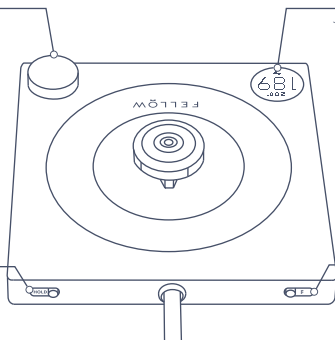


Diagram 1B

READ ALL INSTRUCTIONS. DO NOT THROW AWAY THIS SAFETY GUIDE.

Important Safeguards

Before use, please read these safety warnings carefully and use the kettle properly. These safety warnings are indicated for the safe and proper use of this product, to prevent danger to the user or others, and damage to property.

When using electrical appliances, basic safety precautions should always be followed, including the following:

- Stagg EKG's electric base is small and the kettle's body looks strikingly similar to our stovetop kettle, but make no mistake, they are not the same! This is an electric kettle that CANNOT be used on a stove.
- Do not place on or near a hot gas burner or electric burner, in a heated oven, or in a microwave.
- Do not touch hot surfaces of the product. Use the handle at all times.
- To protect against fire, electric shock, and injury to persons, do not immerse cord, plug, or any other part of the kettle or base in water or other liquid.
- Never leave Stagg EKG unattended when in use (including when in HOLD mode). Close supervision is necessary when any appliance is used by or near children. Do not use within a child's reach.
- This appliance is not intended for use by persons (including children) with reduced physical, sensory, or mental capabilities, or lack of experience and knowledge, unless they have been given supervision or instruction concerning use of the appliance by a person responsible for their safety. Children should be supervised to ensure that they do not play with the appliance.
- Unplug from outlet when not in use and before cleaning. Allow to cool before putting on or taking off parts and before cleaning the appliance.
- To disconnect from power source, press main button to switch "OFF" and then remove plug from outlet. Do not pull on cord itself as it may damage cord and eventually cause electric shock.
- Do not operate Stagg EKG with a damaged cord or plug, if the kettle malfunctions, or if the product has been damaged in any manner.
- Ensure that your main supply voltage is the same as that marked on the underside of your kettle - 120V.
- To avoid an electrical overload, do not operate another high-wattage appliance on the same circuit.
- The use of accessory attachments is not recommended by Fellow as it may result in fire, electric shock, or personal injury.
- Do not use outdoors.
- Do not place any utensils into the kettle.
- After unpacking Stagg EKG, dispose carefully of the plastic bags so that children and others cannot reach them.

- Do not fill above the 'max' fill point as displayed in the diagram below. Do not fill above this point. If the kettle is overfilled, hot water may be ejected. See diagram 1C below for reference. We suggest using only the amount you need to conserve water and energy.

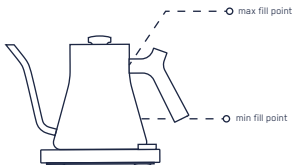


Diagram 1C

- Do not operate dry or below the 'min' fill point. Stagg EKG must have a minimum of 333 mL/11 fl oz to function. Dry boiling the kettle may result in permanent damage and potential fire. The 'min' fill point is one inch above the floor of the kettle. See diagram 1C above for reference.
- A short power-supply cord is provided to reduce risks resulting from becoming entangled in or tripping over a longer cord.
- Do not let cord hang over edge of table or counter, or touch hot surfaces.
- Do not use a longer detachable power-supply cord or extension cord.
- Remove the kettle from its power base before filling. Remove all moisture on the bottom of the kettle before placing it onto the power base.
- Kettle must be operated on a flat surface away from the edge of counter to prevent accidental tipping.
- Never move the kettle and kettle base together while the unit is in use.
- To avoid burns and risk of personal injury, use extreme caution when carrying kettle containing hot water.
- Do not use the kettle if your hands are wet.
- Position the kettle properly on the power base before switching on.
- Use the kettle only with delivered power base. Do not use any other kettle on delivered base, or any other base with delivered kettle. Use only the original, delivered pair together.
- After using kettle, wait until kettle has cooled down before removing lid.
- To avoid possible steam damage, turn spout away from walls or cabinets during use.
- Use protective pad under kettle after it has been heated to prevent damage to surfaces.
- To reduce the risk of fire or electric shock, do not remove bottom cover from base or disassemble base or kettle in any way. There are no user-serviceable parts inside. Repair should be done by authorized service personnel only. Opening base or kettle will result in a void of the one year warranty.

- Do not operate in the presence of explosive and/or flammable fumes.
- Do not use for other than intended use. This appliance is intended for household and commercial use only. Use for anything other than intended use will void the one-year warranty.
- **TO PREVENT SCALDING:**
 - Never use the kettle without its lid.
 - Do not remove the lid while the kettle is boiling.
 - Scalding may occur if the lid is removed during the brewing cycles.
 - Be aware of steam being emitted from spout or lid especially during refilling.
 - Water can remain hot for a long time after boiling and can present a scalding hazard. Keep the kettle and the kettle base away from the edge of the work surface and out of the reach of children. Do not remove the lid until the kettle cools down.
- **GROUNDING PLUG:** This appliance has a grounded, three-prong plug and must be grounded with a three-prong outlet when in use. To ensure protection against risk of electric shock or fire, connect to properly grounded outlets only. Do not attempt to defeat this safety feature.
- **DO NOT HEAT AN EMPTY KETTLE:** The concealed heating element in the bottom of the kettle is protected by an automatic safety device. If your kettle is accidentally heated without being filled or is allowed to boil dry, it will automatically cool down and then turn off. If this happens, unplug the kettle, fill with cold water, and wait a few minutes before replacing it on the base and plugging in.
- Save these instructions.

Use Instructions

Please read all use instructions fully before turning on and using your kettle.

First Time Use Cleaning

- Place the Stagg EKG's base and kettle on a flat, level surface.
- Remove Stagg EKG's lid to add water. Do not remove lid if hot.
- After adding water, insert lid and ensure spout is not close to and/or facing a wall or cabinet.
- Plug the power cord into wall outlet - make sure to follow the safety guidelines above.
- For **FIRST USE**, rinse interior of kettle and then boil small amount of water (approx halfway full from the "max fill" line in diagram 1C). Make sure you fill to at least the min fill point in diagram 1C.
- Set goal temperature to 212 degrees Fahrenheit or 100 degrees Celsius to boil cleaning water.
- Boil water for one minute, then turn off kettle.
- Discard initially boiled water; this water should not be consumed. Your Stagg EKG is now ready to use.

Turn Kettle ON/OFF

To turn Stagg EKG on, press main button and wait for LCD screen to light up. To turn Stagg EKG off, press button and wait for LCD screen to turn black.

Select Display Temperature Setting

Choose your preferred temperature setting of Fahrenheit or Celsius by switching the temperature toggle on the back of the base. See diagram 1D for reference.

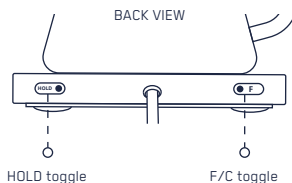


Diagram 1D

Set a Goal Temperature

- Turn main button clockwise to increase SET temperature. The LCD screen will display temperature (numerical) options as you twist.
- Once you arrive at your desired temperature, stop turning the button. Stagg EKG will display this SET temperature for one second.
- On Stagg EKG's LCD screen, F or C will start blinking, indicating the kettle is heating to your desired SET temperature.

Turn On HOLD Mode

Stagg EKG's HOLD mode allows the kettle to hit your desired SET temperature and maintain that SET temperature for 60 minutes. This is an optional setting. See diagram 1E for reference.

- To turn HOLD mode on, switch the hold toggle on the back of the base so that the toggle reads "HOLD." The screen will flash "HOLD ON" for one second.
- When Stagg EKG is in hold mode, "HOLD" will appear in the top of the LCD screen when your SET temperature is reached. This indicates that the kettle is in hold mode. See diagram 1E for reference.

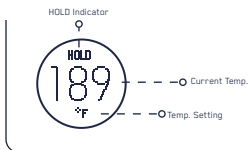


Diagram 1E

- Once in HOLD mode, set your goal temperature with the steps above (in "Set a Goal Temperature").
- If you lift your kettle off of the base and then return it to the base, Stagg EKG will reset the 60 minute hold and continue heating your water.

- Once 60 minutes have passed without lifting the kettle off the base, Stagg EKG will go into standby for 15 minutes, then turn itself off.
- To turn HOLD mode off, switch toggle so that the toggle reads blank.

Initiate Brew Stopwatch

- Stagg EKG comes with a built-in Brew Stopwatch to keep track of your brew time. To start the stopwatch, hold the main button down for 2 seconds.
- The LCD screen will start a 3 second countdown, giving you time to get ready to pour.
- After countdown, the Brew Stopwatch will start counting up by seconds.
- To turn the stopwatch off and return to the main screen, click the main button once.

High Altitude Use

At higher elevations, water will boil at a lower temperature. At sea level water boils at 100°C. For every 500 feet/152 meters in elevation gain, the boiling point for water decreases by approx. 1.1°F/0.5°C. Please use the following chart to know when your kettle is boiling:

HIGH ALTITUDE CHART

ALTITUDE, ft (m)	BOILING POINT OF WATER, °F (°C)
0 ft (0 m)	212°F (100°C)
500 ft (150 m)	211.1°F (99.5°C)
1,000 ft (305 m)	210.2°F (99°C)
2,000 ft (610 m)	208.4°F (98°C)
5,000 ft (1524 m)	203°F (95°C)
6,000 ft (1829 m)	201.1°F (94°C)
8,000 ft (2438 m)	197.4°F (91.9°C)
10,000 ft (3048 m)	193.6°F (89.8°C)
12,000 ft (3658 m)	189.8°F (87.6°C)
14,000 ft (4267 m)	185.9°F (85.5°C)

Optimal Brew Temperatures

Follow our brew chart below to use the optimal brew temperatures for coffee, tea, and other hot drinks. Please note, since tea has a wide range of types, the tea steeping temperatures below are basic guidelines. If your tea comes with brew instructions, we recommend following their instructions.

OPTIMAL TEMPERATURE BREW CHART

COFFEE	195 - 205° F (90 - 96° C)
WHITE/GREEN TEA	170 - 200° F (76 - 93° C)
OOLONG TEA	185 - 200° F (85 - 93° C)
HERBAL/BLACK TEA	200 - 212° F (85 - 100° C)
HOT COCOA CIDER	190° F (88° C)

Pour-Over Instructions

Brewing the perfect cup is important...here's how to do it.



① Water Temperature Is Critical

Fill kettle to just below handle. Heat water until temperature reaches optimal brew range (195°-205°F depending on your preferences) on LCD screen.



② Freshly Ground Beans Are Best

For a 12 oz cup, weigh 24 grams of beans (about 3 tablespoons). Grind coffee to a medium coarseness - the consistency of coarse sand.



③ Prep The Dripper

Place filter in a pour-over dripper on a cup or carafe. Pour enough hot water to fully wet filter and warm dripper. Empty the carafe of water.



④ Add Coffee

Dump your coffee grinds into the dripper and shake lightly to flatten for a more even pour. Make sure to read ahead the next steps before starting to brew!



⑤ Timing It Right

Once you're ready to brew, hold Stagg EKG's main button 2 seconds. This will start the Brew Stopwatch. After the 3 second countdown, follow the Brew Stopwatch for your bloom and pour.



⑥ The Bloom Is Key

Start pouring at the center of dripper, working your way out to the sides. Pour about 50 grams of water, or 2 times the amount of coffee you use. Wait 30 seconds for coffee to "bloom" and release CO_2 .



⑦ The Perfect Pour

Continue pouring evenly from the center of the dripper, outward in a circular path. Pouring should take an additional 2:30 - 3 minutes. Stop once you reach 12 oz or 355 grams.

Cleaning Storage

Cleaning

- Before cleaning, be sure the base is unplugged and the kettle has cooled completely. Empty any remaining water from the kettle.
- Wash the inside of the kettle with soapy water and rinse. NEVER IMMERSE THE KETTLE IN WATER OR OTHER LIQUIDS.
- Do not place in a dishwasher.
- Wipe the exterior of the kettle and base with a damp cloth or sponge and dry. Do not use abrasive soaps, cleansers, or scouring pads on any part of the kettle as it may damage the finish.
- Over time, the kettle may heat up but won't boil; this may be due to scaling and mineral deposits which can build up inside the kettle depending on your use and the hardness of the water in your area. When this happens, it's time for descaling. Use a scale/lime remover and follow its manufacturer's directions.

Storage

- Clean and dry all parts before storing. Store the kettle in its box or in a clean, dry place.
- Never wrap the power cord around the kettle.

Service or Repair

For service, repair, or any questions regarding your appliance, first visit Fellowproducts.com/EKG-manual. If you still have questions, reach out to us at hello@fellowproducts.com. Do NOT mail the product back to the manufacturer or bring it to a service center without first talking to a Fellow customer service representative.

FULL ONE-YEAR WARRANTY

Fellow warrants this product against any defects that are due to faulty material or workmanship for a one-year period after the original date of consumer purchase.

This warranty is valid only for:

- The original consumer.
- When kettle is purchased through authorized retailers.
- With the original sales receipt for proof of purchase to make your warranty claim.

This warranty does not include damage to the product resulting from:

- Accident, misuse, or repairs performed by unauthorized personnel.
- Operation with the wrong type of current or voltage.
- Failure to follow cleaning instructions for both the kettle and cleaning/descaling agents.
- Failure to comply with any safeguards listed in the warnings and instructions of this document.

If the product should become defective within the warranty period, or you have questions regarding warranty or service, email us at hello@fellowproducts.com

Congrats on making it this far! Do you like surprises as much as we do? We hope so. There's an Easter egg in Stagg EKG's software. You have 2 hints to find it:

- The hen must leave the nest.
- One must travel across the farm and back to trigger the egg.



More info at Fellowproducts.com/EKGmanual